

FOOTPRINT 2/24/86

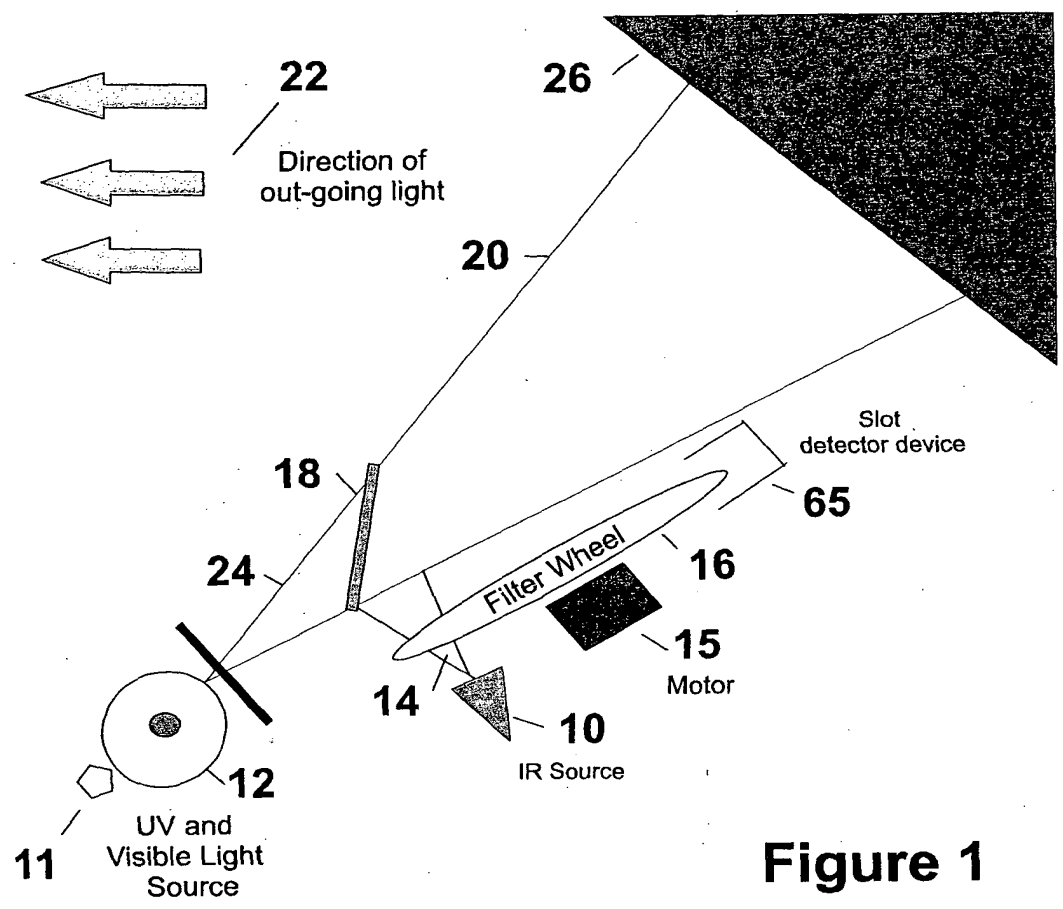


Figure 1

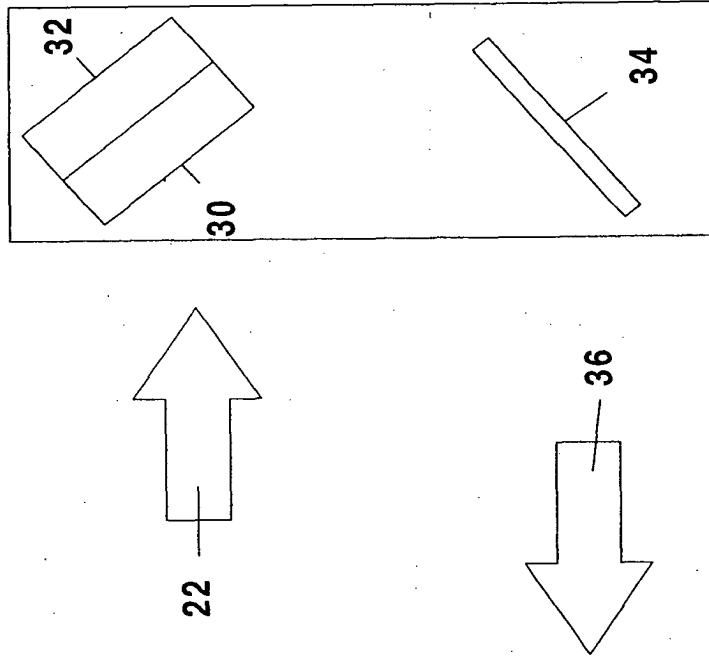


Figure 2

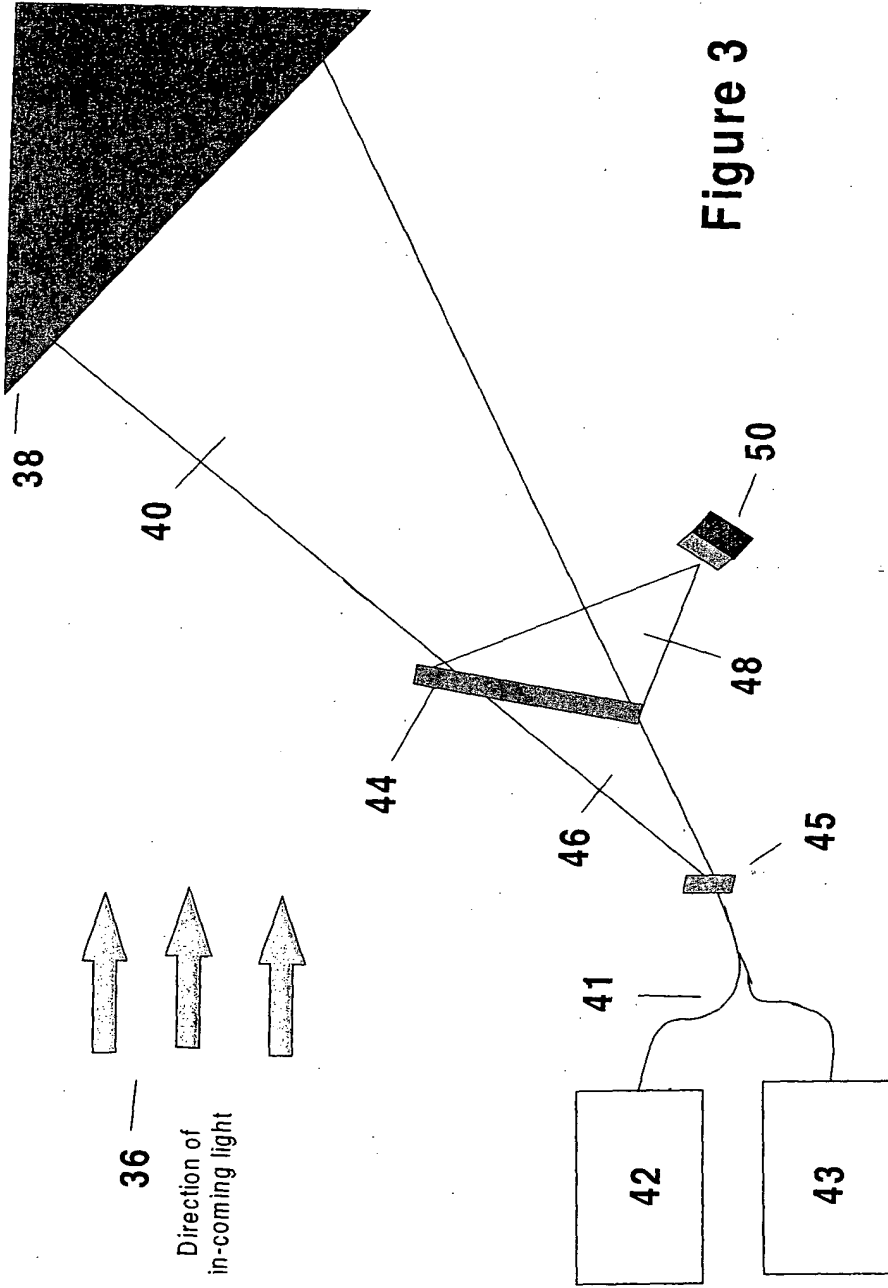


Figure 3

FOR "2424660"

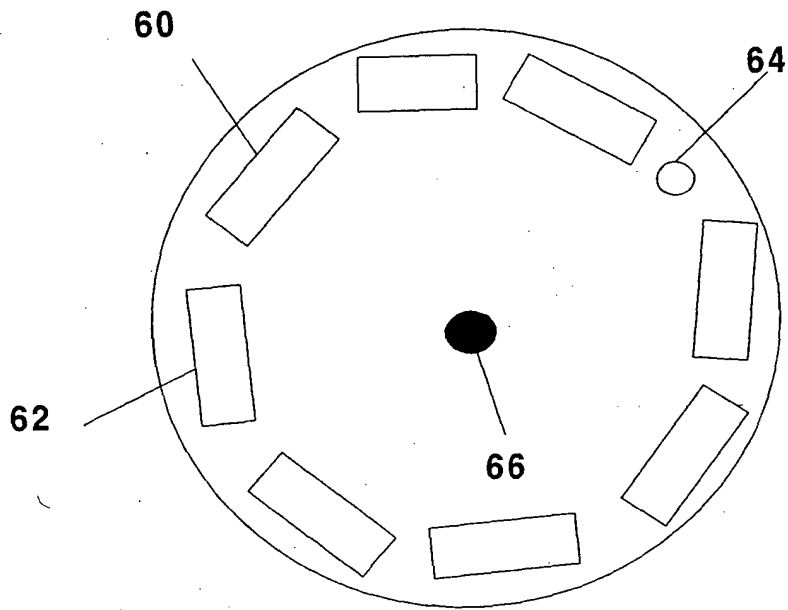


Figure 4

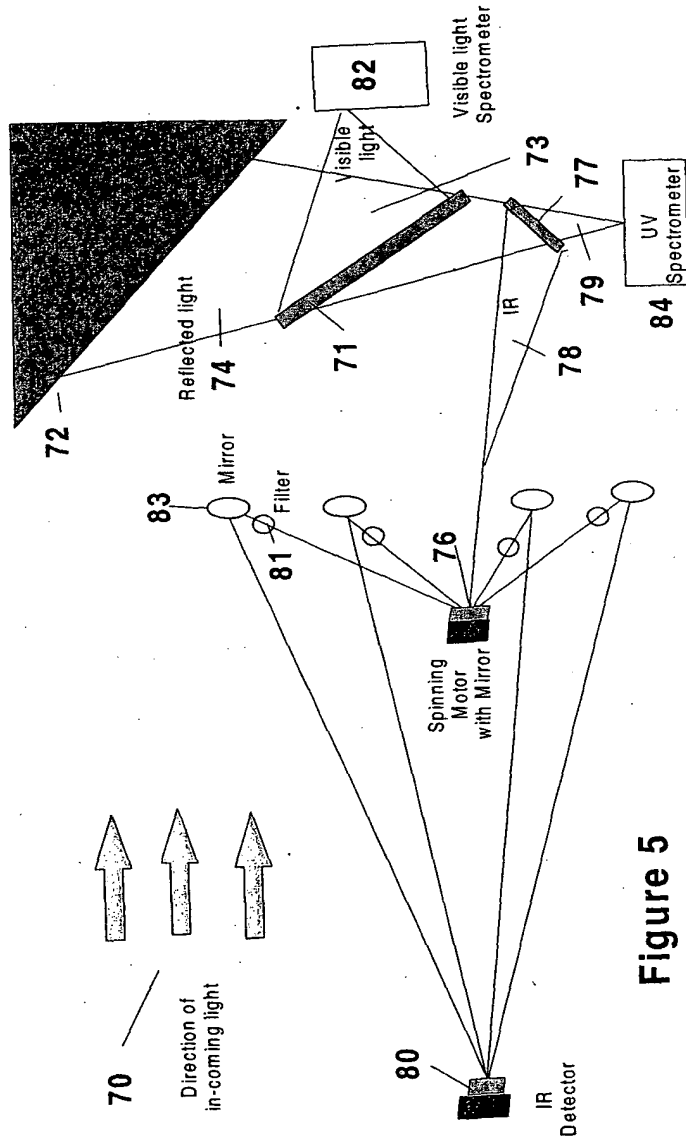


Figure 5

FOR RELEASE

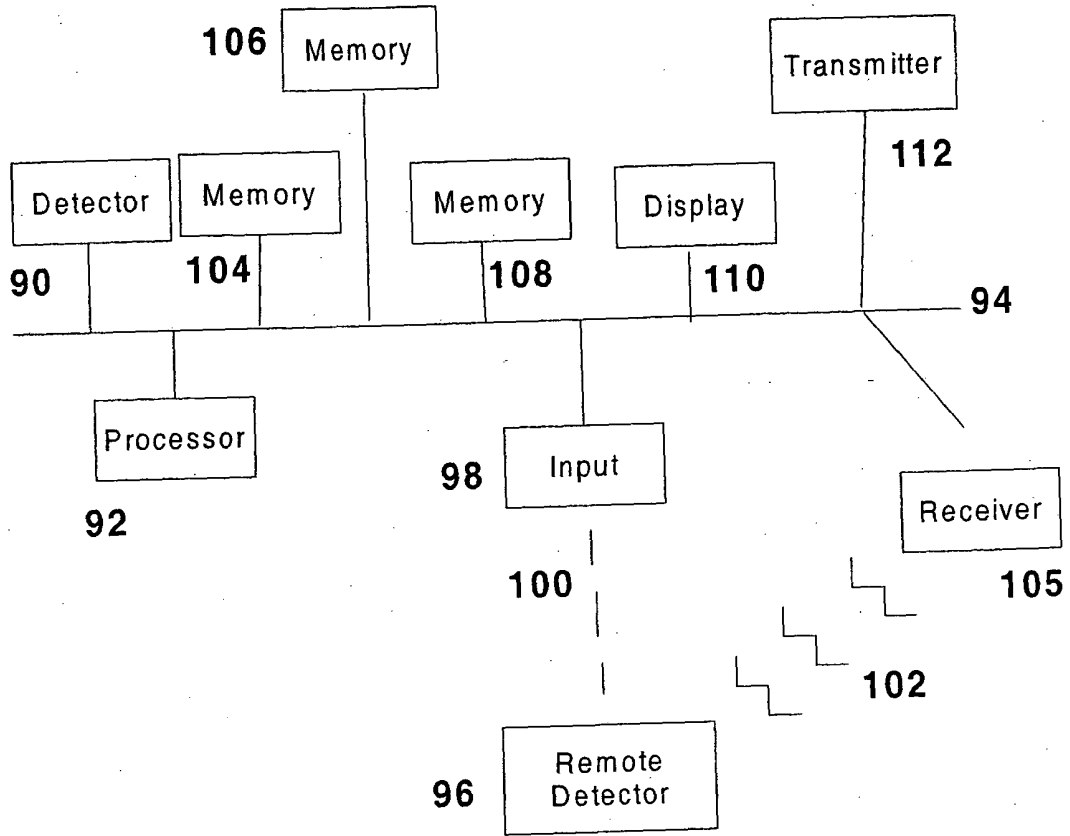


Figure 6